

ATMOS HEIGHT MODULE

SILVER, BRONZE



ATMOS HEIGHT MODULE

SILVER, BRONZE

As a Dolby Labs Home Atmos Speaker Development Partner, Triad has co-developed cutting-edge sound technology that delivers audio in three dimensions. Sound formats such as Atmos, DTS-X, and Auro 3D recreate sound as we experience it in the real world, and Triad's collaboration with Dolby makes 3D sound a reality in your home theater. The In-Room Atmos-enabled height modules retrofit new and existing sound systems in homes where speakers are unable to mount in the ceiling. These upward-firing speakers project sound toward the ceiling, which reflects directly to the listener, delivering sound as if from above.

In an industry of generic, mass-produced products, Triad combines craftsmanship and customization in every order. Handcrafted in the US using the finest materials and components, Triad's fully engineered, sealed, and internally braced MDF enclosures deliver intricate acoustics and effortless playback, actualizing the artist's intent. Triad's Atmos height modules offer a professional-grade cinematic experience, achieving unobtrusive elegance while retaining the integrity of sound.

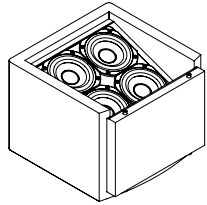
Triad's Atmos height modules are designed to partner with Triad Bronze or Silver LCRs. Never before has 3D sound been so simple and convenient to integrate into your home. Experience the thrill of complete sound immersion as movie soundtracks take shape around you, transporting audiences beyond the theater and into the action.

FEATURES

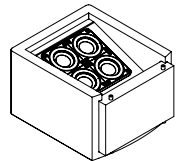
- Certified Dolby® Atmos™-enabled height channel
- Veneer and custom finishes available
- Fully engineered, premium MDF enclosure
- AcoustiPerf metal grill

ATMOS HEIGHT MODULE SILVER, BRONZE

SPECIFICATIONS



Silver



Bronze

MATERIALS

Dolby Atmos array size
Dolby Atmos array type

SILVER

(4) 3" (7.6 cm)
Proprietary full range neodymium

BRONZE

(4) 2" (5.8 cm)
Proprietary full range neodymium

PERFORMANCE

Recommended amplifier power
Impedance
Sensitivity (dB @ 2.83V, 1 m)
Frequency response (+/-3dB)

SILVER

50 - 200W
6 ohms
89 dB
130 Hz and 20 kHz

BRONZE

50 - 200W
6 ohms
89 dB
180 Hz and 20 kHz

DIMENSIONS

Cabinet specifications
(H x W x D)

SILVER

6 ³/₄ x 8 ³/₄ x 9 ⁹/₁₆"
(17.2 x 22.2 x 24.2 cm)

BRONZE

5 ⁷/₁₆ x 7 ⁹/₁₆ x 9 ¹/₄"
(13.8 x 19.2 x 23.6 cm)

WEIGHT

Product weight
Shipping weight

SILVER (each)

10 lb (4.5 kg)
17 lb (7.7 kg)

BRONZE (pair)

14.5 lb (6.6 kg)
28 lb (12.7 kg)

PRODUCT NUMBERS

Painted finish
Veneer finish

SILVER

[25031-4000-1](#)
[25031-6000-1](#)

BRONZE

[24031-4000-1](#)
[24031-6000-1](#)

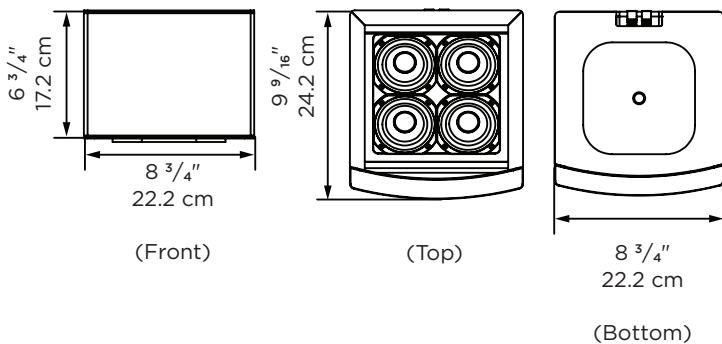
Product page



triadspkrs.co/atmosheight

DIMENSIONS

SILVER



BRONZE

