

BINARY®

B-260-ARC

Audio return extender for HDMI eARC and SPDIF IN



Install Guide

Important safety information

To reduce the risk of fire or electric shock, read and follow all instructions and warnings in this manual. Keep this manual for future reference.

1. Do not expose this apparatus to rain or moisture. Do not expose this equipment to dripping or splashing, and ensure that no objects filled with liquids, such as vases, are placed on the equipment. Do not use this apparatus near water.
2. Do not remove cover. No user serviceable parts inside.
3. Clean only with a dry cloth.
4. Do not block any ventilation openings. Install according to manufacturer's instructions.
5. Do not install near any heat sources such as radiators, heat registers, stoves or other apparatus (including amplifiers) that produce heat.
6. Do not override the safety purpose of the polarized or grounding plug. A polarized plug has two blades, one of which is wider than the other. A grounding plug has two matching blades and a third grounding prong. The wide blade or the third prong is provided for your safety. If the provided plug does not fit into your outlet, consult an electrician for replacement of the obsolete outlet.
7. Protect the power cord from being walked on or pinched, particularly at the plug end and where the power cord is attached to the apparatus.
8. Only use attachments and accessories specified by the manufacturer.
9. Refer all servicing to qualified service personnel. Servicing is required when the apparatus has been damaged in any way, such as when the power supply cord or plug is damaged, liquid has been spilled on or objects have fallen into the apparatus, the apparatus has been exposed to rain or moisture, the apparatus does not operate normally, or it has been dropped.
10. To completely disconnect this equipment from power, disconnect the power supply cord from the power outlet.



The lightning flash with arrowhead symbol, within an equilateral triangle, is intended to alert the user to the presence of uninsulated dangerous voltage within the product's enclosure that may be of sufficient magnitude to constitute a risk of electric shock to persons.



The exclamation point within an equilateral triangle is intended to alert the user to the presence of important operating and maintenance (servicing) instructions in the literature accompanying the appliance.



FCC warnings

This equipment has been tested and found to comply with the limits for a Class B digital device, pursuant to Part 15 of the FCC Rules. These limits are designed to provide reasonable protection against harmful interference in a residential installation. This equipment generates uses and can radiate radio frequency energy and, if not installed and used in accordance with the instructions, may cause harmful interference to radio communications. However, there is no guarantee that interference will not occur in a particular installation. If this equipment does cause harmful interference to radio or television reception, which can be determined by turning the equipment off and on, the user is encouraged to try to correct the interference by one or more of the following measures:


- Reorient or relocate the receiving antenna.
- Increase the separation between the equipment and receiver.
- Connect the equipment into an outlet on a circuit different from that to which the receiver is connected.
- Consult the dealer or an experienced radio/TV technician for help.

Changes or modifications not expressly approved by the party responsible for compliance could void the user's authority to operate the equipment.

Regulatory requirement



When using the power adapter, please refer to the following notes. The specifications of the provided power adapter:

- Rated Input: INPUT: 100-240V~, 50-60Hz, 0.3A; OUTPUT: 5.0V DC, 1.0A, 5.0W
- Model: 6A-054WP5B
- Trademark: 
- Manufacturer: ENG ELECTRIC CO., LTD.

Trademarks

Dolby Digital™, Dolby TrueHD™, and Dolby Atmos™ are registered trademarks of Dolby Laboratories DTS 5.1™, DTS-HD Master Audio™ and DTS:X™ are registered trademarks of DTS, Inc. All other trademarks and registered trademarks are owned by their respective holders.

Product overview

The product is an extender for HDMI eARC and SPDIF audio pass-through. It supports CEC pass-through between HDMI ARC input port and ARC output port to handshake for eARC transmission.

For TVs that don't support HDMI eARC capabilities, the extender provides an independent SPDIF audio pass-through channel. SPDIF audio can be transmitted from the SPDIF IN port of the transmitter to the SPDIFOUT port of the receiver.

Features

- Supports CEC pass-through between HDMI ARC Input port and ARC Output port to handshake for ARC transmission.
- Supports signal transmission distance up to 70m/230ft via a single Cat 5e or above cable.
- Supported returned audio formats include: Dolby Digital+ (DD+) , Dolby 5.1CH, DTS 5.1CH and LPCM 2CH.

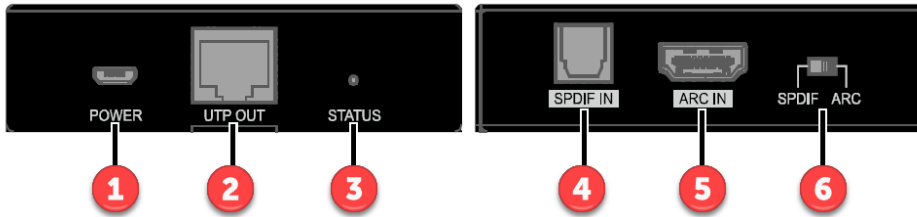
Pro tip: To set the extender to eARC or SPDIF mode, users need to set the DIP switches of the transmitter and receiver to the same position. For example, when the extender is set to eARC mode, the DIP switches of transmitter and receiver both need to be switched to the "ARC" position.

Package contents

- 1X B-260-ARC Transmitter
- 1X B-260-ARC Receiver
- 2 X DC 5V Power Adapter
- 4x Mounting Ears (with Screws)
- 4x Mounting Screws
- 8 X Rubber Feet
- 1x User Manual

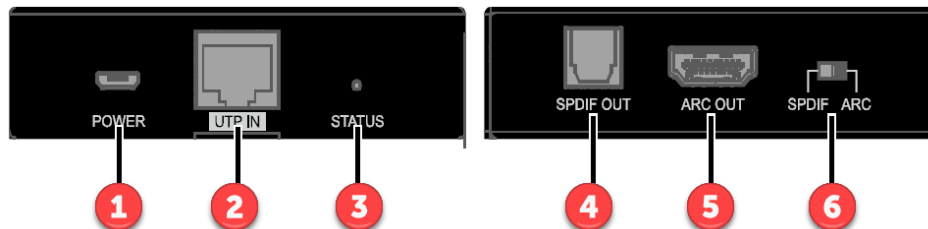
Device layout

B-260-ARC transmitter



1. POWER: Connect to the power adapter provided.
2. UTP OUT: Connect to UTP IN port of the receiver.
3. STATUS LED:
 - On: The transmitter is working properly but the connection between transmitter and receiver is not successful.
 - Blinking: The transmitter is working properly, and the connection between transmitter and receiver is successful.
 - Off: The transmitter is not working properly.
4. SPDIF IN: Connect to an audio source device.
5. ARC IN: Connect to an HDMI display such as a TV.
6. SPDIF/ARC Switch:
 - ARC: Configure eARC channel feed by TV. (Default)
 - SPDIF: Configure auxiliary SPDIF input, pass optical audio from transmitter to receiver unit.

B-260-ARC receiver



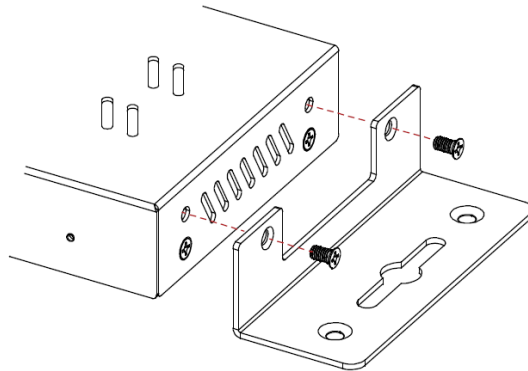
1. POWER: Connect to the power adapter provided. On Many TV's the B-260-ARC RX can be connected to the TV USB connector for power.
2. UTP IN: Connect to UTP OUT port of the transmitter.
3. STATUS LED:
 - On: The receiver is working properly but the connection between receiver and transmitter is not successful.
 - Blinking: The receiver is working properly, and the connection between receiver and transmitter is successful.
 - Off: The receiver is not working properly.
4. SPDIF OUT: Connect to AVR or other audio device.
5. ARC OUT: Connect to an AV receiver.
6. SPDIF/ARC Switch:
 - ARC: Configure eARC channel feed by TV. (Default)
 - SPDIF: Configure auxiliary SPDIF output, pass optical audio from transmitter to receiver unit.

Installation

Warning: Before installation, please ensure the device is disconnected from the power supply.

Steps to install the device in a suitable location:

1. Attach the mounting ear to the enclosure using the screws provided in the package.
2. The mounting ear is attached to the enclosure as shown.



3. Repeat steps 1-2 for the other side of the transmitter.
4. Attach the brackets to the surface or wall you want to hold the unit against using the provided mounting screws (ST3.5mm*L25mm, black, countersunk head with cross, selftapping screws).
5. Repeat steps 1-4 to install the receiver.

Wiring

Warning: Before wiring, disconnect the power from all devices. While wiring, connect and disconnect the cables gently.

Wiring 1: eARC mode

Note: When you want to configure eARC channel feed by TV: ensure AV receiver and TV support eARC function and CEC should be set to enable.

1. Connect a TV to ARC IN port of the transmitter.
2. Connect an AV receiver to ARC OUT port of the receiver.
3. Connect the UTP OUT port of transmitter to UTP IN port of the receiver.
4. Switch both the DIP switches of transmitter and receiver to ARC mode.
5. Set CEC function of the TV to on.
6. Switch the AV receiver to eARC channel.
7. Connect USB ports of transmitter and receiver to the provided power adapters.
8. Power on all devices. The audio signal of TV through ARC IN port will be transmitted to the AV receiver connected to ARC OUT Port of receiver. (See Figure 1)

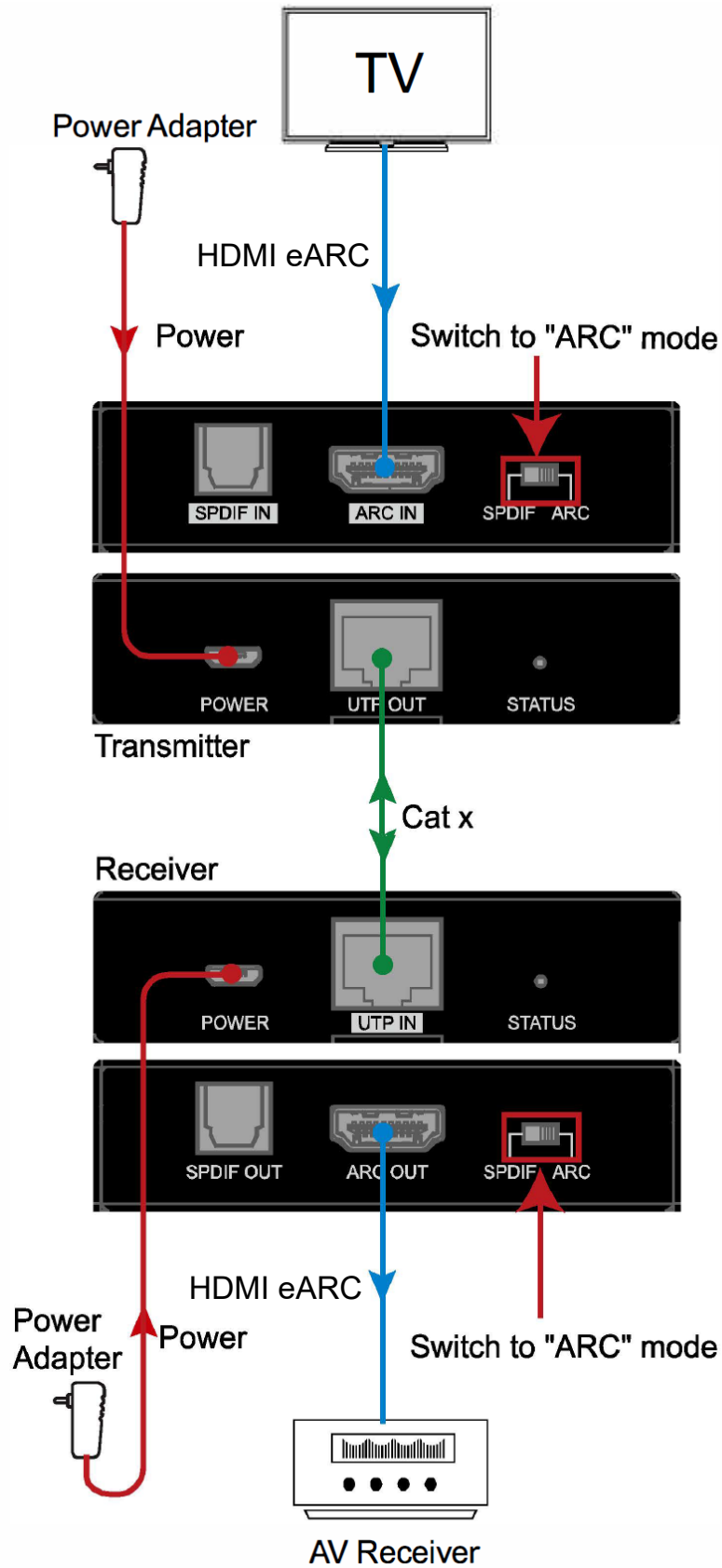


Figure 1: Wiring option 1, ARC

Wiring 2: SPDIF mode

1. Switch both the DIP switches of transmitter and receiver to SPDIF mode.
2. Connect an audio source to the SPDIF IN port of the transmitter.
3. Connect an audio device such as a stereo amplifier to the SPDIF OUT port of the receiver.
4. Connect USB ports of transmitter and receiver to the provided power adapters.
5. Power on all attached devices. Audio signal from SPDIF IN port will be transmitted to SPDIF OUT port. (See Figure 2)

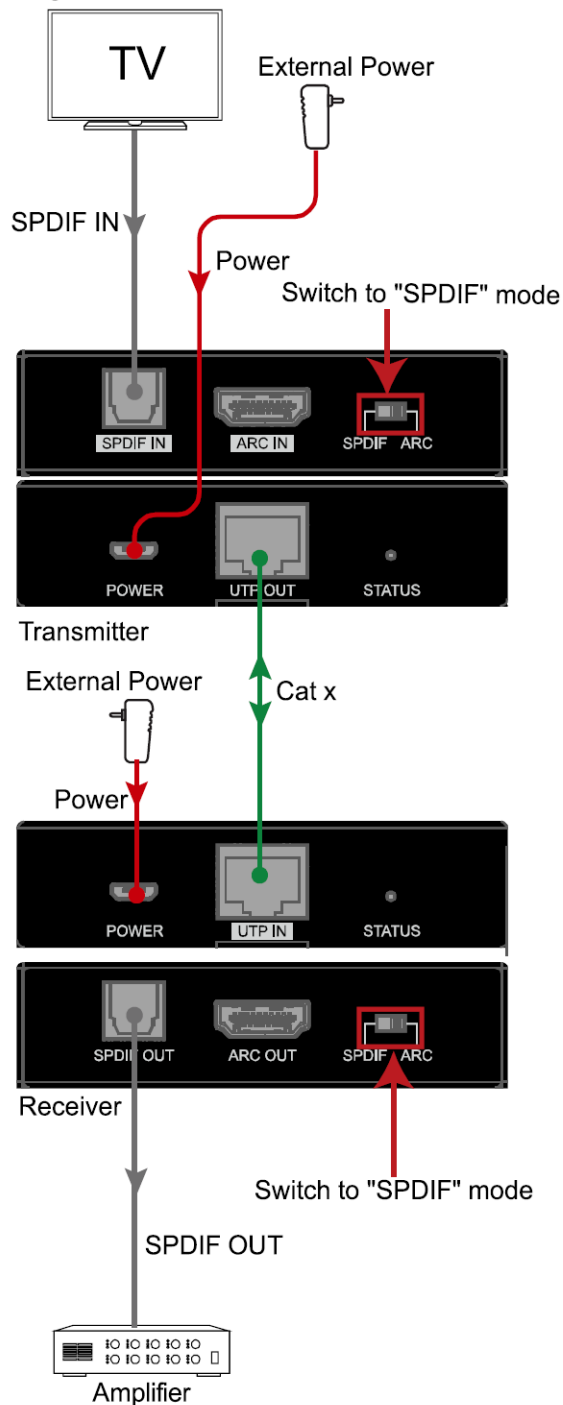
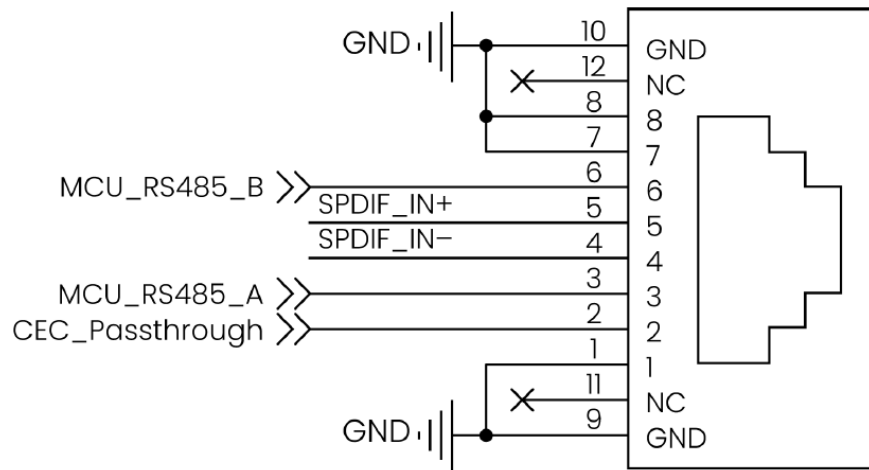


Figure 2: Wiring option 2, SPDIF

UTP pinout Diagram



Pins 1, 7, and 8 are not used. One of these three pins should be reserved for GND, which leaves two unused pins.

Specifications

Technical	
Input/Output port	Transmitter: 1 × ARC IN, 1 × SPDIF IN, 1 × UTP OUT, 1 × POWER (micro USB) Receiver: 1 × ARC OUT, 1 × SPDIF OUT, 1 × UTP IN, 1 × POWER (micro USB)
Input/Output audio formats supported	HDMI: PCM 2.0CH, Dolby 5.1CH, DTS 5.1CH, DD+ SPDIF: PCM 2.0CH, Dolby 5.1CH, DTS 5.1CH, DD+
Control method	DIP switches
General	
Operating temperature	0°C to 40°C (32°F to 104°F)
Storage temperature	-20°C to 60°C (-4°F to 140°F)
Humidity	10% to 90%, non-condensing
ESD protection	Human-body model: ±15kV (air-gap discharge)
Power supply	5 Vdc, 1A
Power consumption (max)	0.4W (transmitter/receiver)
Device dimensions (W×H×D)	80mm ×20mm ×70mm (3.15" × 0.79" × 2.76")
Product weight	0.18kg / 0.40 lb (transmitter/receiver)
Transmission distance	
Cable type: Cat 5e/6/6a/7	Range: 70m/230ft

Technical Support

For chat and telephone, visit ctrl4.co/techsupport • Email: TechSupport@SnapOne.com
Visit tech.control4.com/technician for discussions, instructional videos, news, and more.

Warranty and Legal Notices

Find details of the product's Limited Warranty and other resources such as regulatory notices and patent and safety information, at snapone.com/legal or request a paper copy from Customer Service at 866.424.4489.

Copyright ©2024, Snap One, LLC. All rights reserved. Snap One and its respective logos are [registered trademarks](#) or trademarks of Snap One, LLC, in the United States and/or other countries. Binary is also a registered trademark of Snap One, LLC. Other names and brands may be claimed as the property of their respective owners. Snap One makes no claim that the information contained herein covers all installation scenarios and contingencies, or product use risks. Information within this specification subject to change without notice.