



# 7" Wall-Mount Touch Screen Installation Guide

## Supported Models

- C4-TSWM7-E-B (Wall-Mount Touch Screen, Ethernet)
- C4-TSWM7-EG-B (Wall-Mount Touch Screen, WiFi and Ethernet)

## What's in the Box

Carefully unpack the Control4® contents from the box, and make sure the following items are included in the box. If any item is missing or damaged, please contact your Control4 Reseller immediately.

- 7" Wall-Mount Touch Screen
- 7" Wall-Mount Touch Screen Installation Guide (this document)
- Two (2) sheet metal screws (1/2-inch) for attachment to a plastic wall box. (Metal wall boxes require machine screws, which are included with the metal wall box kits.)
- AC power cable (with stripped ends)
- AC power adapter (brick-like)
- Three (3) wire nuts

## Accessories

- Control4 Power Over Ethernet (PoE) Injector (AC-POE1-B)
- 7" Wall-Mount Touch Screen Wall Box New Construction, Plastic (C4-NWB7-P)
- 7" Wall-Mount Touch Screen Wall Box New Construction, Metal (C4-NWB7-M)
- 7" Wall-Mount Touch Screen Wall Box Retrofit, Plastic (C4-RWB7-P)
- 7" Wall-Mount Touch Screen Wall Box Retrofit, Metal (C4-RWB7-M)

## Important Safety Instructions

1. Read these instructions and keep these instructions.
2. Heed all warnings and follow all instructions.
3. Do not use this apparatus near water.
4. Clean only with dry cloth.
5. Install in accordance with the manufacturer's instructions.
6. Install in accordance with all national and local electrical codes.
7. This product is also designed for IT power systems with phase-to-phase voltage 120V or 240V.
8. Do not install near any heat sources such as radiators, heat registers, stoves, or other apparatus (including amplifiers) that produce heat.
9. Only use attachments/accessories specified by the manufacturer.
10. If applicable, unplug this apparatus during lightning storms or when unused for long periods of time.
11. Refer all servicing to qualified service personnel. Servicing is required when the apparatus has been damaged in any way, such as power-supply cord or plug is damaged, liquid has been spilled or objects have fallen into the apparatus, the apparatus has been exposed to rain or moisture, does not operate normally, or has been dropped.

**Warning!** The Touch Screen must be protected by an external circuit breaker or a fuse rated at 6A maximum when used in Europe.

**Avertissement!** To reduce the risk of fire or electrical shock, do not expose this apparatus to rain or moisture.

**Warnung!** Die Berührungseingabe muß durch einen externen Circuit breaker oder eine Sicherung geschützt werden, die am Maximum 6A veranschlagen wird, wenn sie in Europa verwendet wird.

**Warning!** To reduce the risk of fire or electrical shock, do not expose this apparatus to rain or moisture.

**Avertissement!** Pour réduire le risque du feu ou de choc électrique, n'exposez pas cet appareil à la pluie ou à l'humidité.

**Warnung!** Um die Gefahr des Feuers oder des elektrischen Schlages zu verringern, setzen Sie diesen Apparat nicht Regen oder Feuchtigkeit aus.

**Warning!** To avoid bodily harm, always contact a Control4 Reseller for assistance if any repair or adjustment is required.

**Avertissement!** Pour éviter des dommages physiques, contactez toujours un revendeur de Control4-authorized pour l'aide si n'importe quelle réparation ou ajustement est exigée.

**Warnung!** Um körperlichen Schaden zu vermeiden, treten Sie immer mit einem Control4-authorized Reseller für Unterstützung in Verbindung wenn irgendeine Reparatur oder Justage angefordert wird.

**Warning!** Do not place unit near sources of heat or expose to direct sunlight for an extended period of time.

**Avertissement!** Ne placez pas l'unité près des sources de chaleur ou exposition pour diriger la lumière du soleil pendant une période prolongée.

**Warnung!** Setzen Sie Maßeinheit nicht nahe Quellen der Hitze oder des Exposés, um Tageslicht während eines ausgedehnten Zeitabschnitts zu vermeiden.

**Warning!** Do not stare at the light or proximity sensor. Looking at these sensors for extended periods of time may cause damage to the eyes.

**Avertissement!** Ne regardez pas fixement la lumière ou le capteur de proximité. Regarder ces sondes pendant des périodes prolongées peut endommager les yeux.

**Warnung!** Starren Sie nicht entlang des Lichtes oder des Annäherungssensors an. Das Betrachten dieser Sensoren nach ausgedehnten Zeitabschnitten kann Beschädigung der Augen verursachen.

**Important!** Do not use pens or sharp objects to navigate or make selections on the Touch Screen. To select an item or scroll through a list, use your fingertip.

**Important!** N'employez pas les stylos ou les objets pointus pour diriger ou pour faire des choix sur l'écran. Pour choisir un article ou un rouleau par une liste, employez votre bout du doigt.

**Wichtig!** Benutzen Sie nicht Federn oder scharfe Gegenstände, um oder Vorwählern auf dem Schirm zu bilden zu steuern. Um ein Einzelteil oder eine Rolle durch eine Liste vorzuwählen, benutzen Sie Ihre Fingerspitze.

**Important!** Improper use or installation can cause LOSS/DAMAGE OF PROPERTY.

**Important!** L'utilisation ou l'installation inexacte peut causer LOSS/DAMAGE DE PROPRIÉTÉ.

**Wichtig!** Unsachgemäßer Gebrauch oder Installation können LOSS/DAMAGE DER EIGENSCHAFT verursachen.

**Important!** Using this product in a manner other than outlined in this document voids your warranty. Further, Control4 is NOT liable for any damage incurred with the misuse of this product. See "Regulatory Compliance."

**Important!** Utilisant ce produit en quelque sorte autre que décrit dans ce document vide votre garantie. De plus, Control4 n'est pas responsable d'aucun dommage encouru avec l'abus de ce produit. Voyez que « Regulatory Compliance. »

**Wichtig!** Das Verwenden dieses Produktes in gewissem Sinne anders als umrissen in diesem Dokument hebt Ihre Garantie auf. Weiter ist Control4 NICHT für irgendeine Beschädigung verantwortlich, die mit der Fehlanwendung dieses Produktes genommen wird. Sehen Sie, daß "Regulatory Compliance".

## Requirements

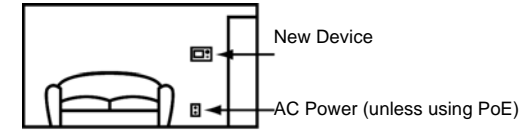
To install the Touch Screen, you need the following:

- HC-class Controller, fully installed and configured with a Control4 system.
- Control4 7" Touch Screen custom wall box installed. See "Wall Box Kit Options."
- (Optional) An amplifier or amplified speakers.
- (Optional) Any RCA cables required to connect the Touch Screen and the amplifier or amplified speakers.
- For Ethernet Model using PoE power only:
  - An Ethernet network installed and available that includes a gateway/router/switch.
  - Access to the Control4 PoE Injector (model #AC-POE1-B) or an 802.3af compatible PoE Ethernet switch.
  - Two (2) Ethernet CAT5 cables: (1) one that runs from the Ethernet gateway/router/switch to the PoE Injector/switch and (2) one that runs from the PoE Injector/switch to the 7" Touch Screen wall box.
- For Ethernet Model using AC power only:
  - An Ethernet network installed and available that includes a gateway/router/switch.
  - Access to in-wall AC power. (A neutral connection is required.)
  - One (1) Ethernet CAT5 cable to run from the Ethernet gateway/router/switch to the 7" Touch Screen wall box.
- For WiFi model only:
  - A wireless network (WiFi 802.11b/g) installed and available that includes a wireless access point (WAP).
  - Access to in-wall AC power. (A neutral connection is required.)
  - 12-gauge or 14-gauge electrical wire long enough to pull between the 7" Touch Screen and the power source.

## Placement, Network Connection, and Power Options

The 7" Wall-Mount Touch Screen offers complete system control in an elegant and compact design. It is equipped with the Touch Screen, four (4) programmable shortcut buttons, a light sensor, and proximity sensor.

Place the Touch Screen in a convenient location at eye level, typically near the entrance of the room, approximately 57 to 61 inches from the floor.



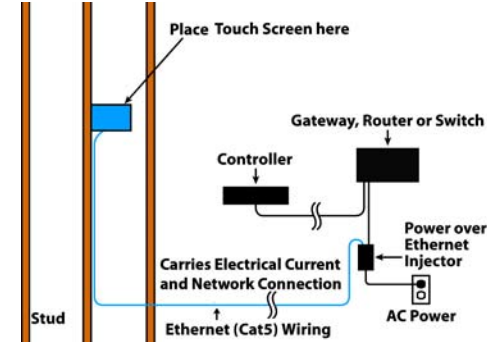
Depending on the Touch Screen model, this device will use either an Ethernet or WiFi network connection. The Ethernet model can be powered by PoE or an AC connection. The WiFi model must use an AC power connection.

**NOTE:** Do not attempt to use PoE and AC at the same time.

### Option 1: Ethernet Connection with PoE

PoE injects electrical current into the Ethernet cable using a PoE Injector to provide the Touch Screen with both power and a network connection. To set up your PoE and Ethernet connection, see Figure 1. The Touch Screen works with the Control4 PoE Injector (model # AC-POE1-B).

FIGURE 1. Ethernet - Requires Connection to PoE Injector

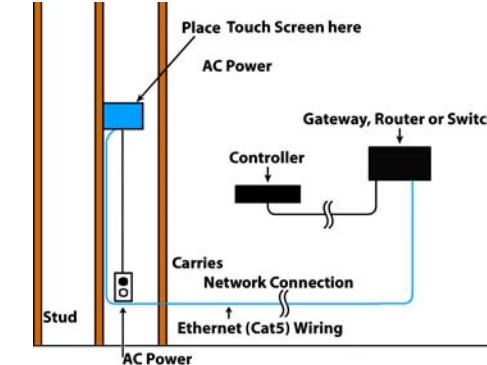


Place the PoE Injector near your gateway/router/switch. Pull the Ethernet cable from that location to where you want to place your Touch Screen.

### Option 2: Ethernet Connection with AC

No PoE Injector is needed for Ethernet with AC power; the Ethernet is connected directly to the switch. This power connection requires both neutral and hot connections. See Figure 2.

FIGURE 2. Ethernet - Requires Connection to Ethernet and AC power

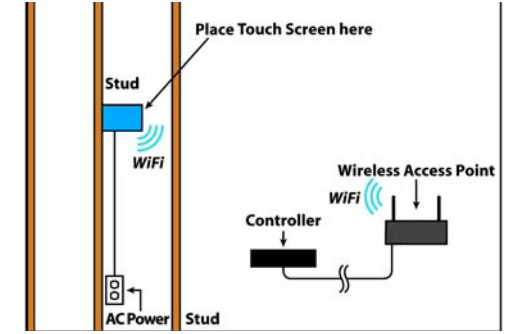


### Option 3: WiFi Connection with AC

When using WiFi, the Touch Screen gets its power from an AC power source nearby. This power connection requires both neutral and hot connections. See Figure 3.

Place the Touch Screen above a power source, such as an outlet. Ensure you have WiFi in the home.

FIGURE 3. WiFi - Requires AC Power and WAP



## Wall Box Kit Options

There are four (4) wall box options to install this Touch Screen. Metal and plastic wall boxes are available for new or retrofit versions. The following diagrams show the available wall mounting kits.

FIGURE 4. 7" Wall-Mount Touch Screen Wall Box Kits - New Construction

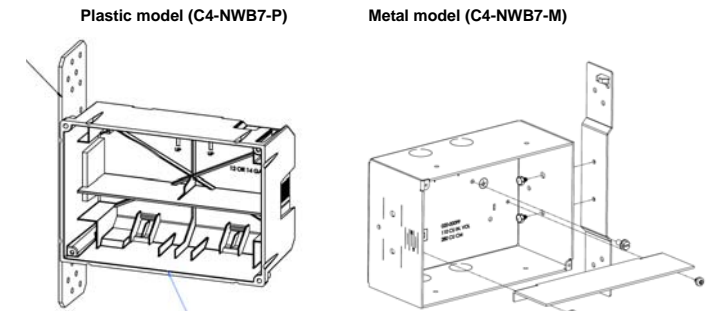
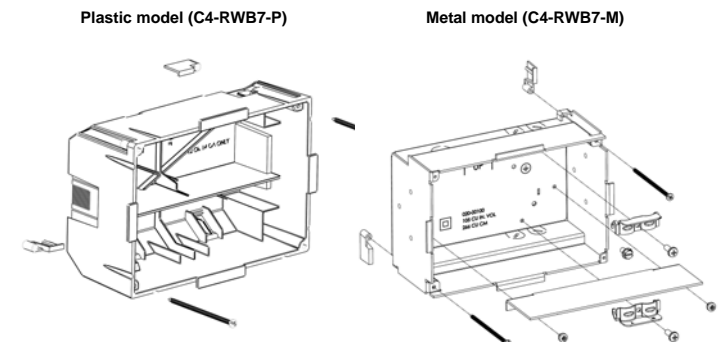
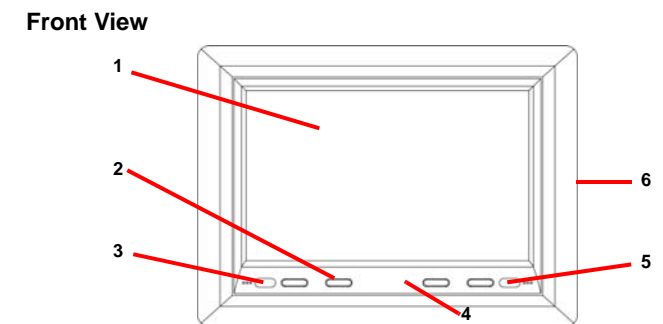


FIGURE 5. 7" Wall-Mount Touch Screen Wall Box Kit - Retrofit



## Front and Rear Panel Description

FIGURE 6. Front View

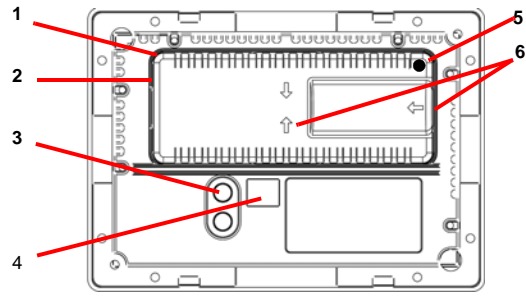


1. **Display:** 7" viewing area, Touch-Screen with 800 x 480 resolution TFT.
2. **Shortcut buttons (4):** For custom programming to initiate an action or sequence of actions.
3. **Proximity sensor:** Laser sensor that detects movement within two (2) feet of the Touch Screen and turns off Screen Saver.
4. **Reset button:** Button located under the bezel to reset the Touch Screen.
5. **Light sensor:** Detects light levels in room for programming purposes.
6. **Front Dimensions (H x W):** 6" x 8.1" .

7. **Wall box dimensions:** (H x W x D): 5" x 7.4" x 3.3.

FIGURE 7. Back View

Back View



1. AC power adapter cover.
2. Opening for AC power cable.
3. **RCA audio line-level output:** (Optional) Audio ports available for an amplifier or amplified speakers for audio output using a standard RCA stereo cable.
4. **RJ-45 port:** Ethernet port available for either a standard Ethernet source that provides network communication only OR a PoE source (IEEE802.3af PoE) that provides power to the device and network communication.
5. **AC power port** (under power adapter cover): 9-12 VDC jack.
6. **Arrows that indicate pinch locations** for removal of cover.
7. **Network Support:** Ethernet or WiFi IEEE 802.11 b/g (model C4-TSWM7-EG-B only).

Installation

**Warning!** For the location where you are installing the Touch Screen, switch off the circuit breaker or remove the fuse from the fuse box.  
**Avertissement!** Pour l'endroit où vous installez l'écran tactile, coupez le disjoncteur ou enlevez le fusible de la boîte de fusible.



**Warning!** Für die Position, in der Sie die Berührungseingabe anbringen, den Circuit breaker ausschalten oder die Sicherung vom Sicherung Kasten entfernen.

**Important!** When cutting the opening for the wall box, DO NOT cut the opening too large. Be conservative and cautiously enlarge it as needed.

**Important!** En coupant l'ouverture pour la boîte de mur, ne coupez pas l'ouverture trop grande. Soyez conservateur et agrandissez-avec précaution la comme nécessaire.

**Wichtig!** Wenn Sie die öffnung für den Wandkasten schneiden, schneiden Sie NICHT die große öffnung zu. Seien Sie konservativ und vergrößern Sie es vorsichtig, wie gebraucht.

**Important!** Before you can complete these instructions, you must have a Control4 7" Touch Screen wall box installed according to the documentation provided in the wall box kit.

**Important!** En coupant l'ouverture pour la boîte de mur, ne coupez pas l'ouverture trop grande. Soyez conservateur et agrandissez-avec précaution la comme nécessaire.

**Wichtig!** Bevor Sie diese Anweisungen durchführen können, müssen Sie ein Control4 7 haben" der Berührungseingaben- Wandkasten, der entsprechend den Unterlagen angebracht wird, die in den Wandkasteninstallationssatz bereitgestellt werden.

- 1 Establish power and network connections as needed for this installation.

**For POE:** Install a PoE Injector or switch.

- a. Connect the Control4 PoE Injector to a power source, such as an AC outlet, using the power cord (provided with the unit). The light comes on when power is applied.



- b. Connect one of the RJ-45 LAN ports on the gateway/router/switch to the PoE Injector's LAN port using the RJ-

45 Ethernet cable. The STAND BY light on the PoE Injector lights up.

- c. Connect the PoE Injector's PWR LAN-OUT port to the Touch Screen using the RJ-45 Ethernet cable in the wall. The Power mode LED changes from orange to green.

**For AC Power:** Connect the wires to the AC power source according to your national and local electrical codes. The steps here denote a typical U.S. installation. Your installation may require alternative wires and the use of a terminal block.

- a. If you are using a plastic wall box, attach the ground wire to the ground wire on the pigtail.
- b. If you are using a metal wall box, attach the ground wire to the box in the location indicated by the ground or earth symbol. Attach the ground wire on the device to the box, as well.
- c. Connect the AC power cable provided to the AC wires in the wall box in accordance with all national and local electrical codes, such as capping with a wire nut.
- d. Plug the AC power cable into the AC power adapter.

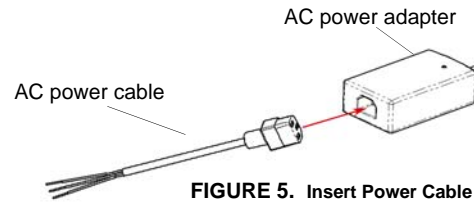


FIGURE 5. Insert Power Cable

- f. Remove the plastic power adapter cover from the back of the Touch Screen by pinching in the three (3) places indicated and rocking the cover as needed to remove it.
- g. Place the AC power adapter in the place provided, and then plug the AC power adapter into the AC power port.
- h. Feed the AC power cable through the opening provided in the plastic power adapter cover, ans then snap the cover over the power adapter.

**For Network Communication:**

- **PoE:** The Ethernet network connection is provided by the POE injector. No additional wiring is needed.
- **Standard Ethernet Connection:** Connect the 7" Touch Screen to one of the RJ-45 LAN ports on the gateway/router using the RJ-45 Ethernet cable.
- **WiFi Connection:** The internal WiFi antenna will communicate with the LAN's WAP. If the LAN has a WAP set up, no additional wiring is needed.

- 2 (Optional) If you intend to send audio to an amplifier or amplified speakers, route a stereo RCA cable from your 7" Wall-Mount Touch Screen Audio Out ports (RCA red and white connectors) to your amplifier or amplified speakers.

- 3 With the screws provided, attach the 7" Touch Screen base at the top-left and bottom-right corners of the wall box.

- 4 Hook the tabs on the top underside of the faceplate onto the snaps on the top of the Touch Screen. Close the faceplate over the top of the base from top to bottom, ensuring that the buttons are properly aligned.

- 5 Calibrate your 7" Touch Screen the first time you use it or any time the on-screen instruction prompts you to. To do this, use your fingertip to touch the screen firmly and accurately at the point indicated by the crosshairs. Repeat for each of the four (4) subsequent points indicated by the crosshairs.

- 6 (For WiFi only) Connect to a wireless access point (WAP). Ensure that the WiFi (802.11b/g) wireless access point (WAP) is configured to communicate with a Control4 Controller:

- a. Select **More > Settings > Network.** Under Wireless, select **Enable.**
- b. If you don't see the network you want, select **Other.**
- c. At Network Name, select to add the SSID or name of the wireless network when the keyboard appears.
- d. At Security, select **None, WEP 64, WEP 128, or WPA.**
- e. At Password, type the password given to you by the person who set up your home's wireless network (Control4 Dealer or Installer).
- f. Select **Connect.** Notice that the IP settings change.
- g. The IP address is set to DHCP by default. If you need to set a static IP address instead, complete the following steps:
- h. On the Network page, press **Static.**
- i. Select each box one at a time and type the address: IP Address, Subnet Mask, Default Gateway, Preferred DNS, and Alternate DNS. When the keyboard appears, type the address, and then press **Done.**
- j. Press **OK** to return to the Network page.
- k. You can now connect to a Control4 Director running on a Control4 device on the network.



- 7 To configure a screen saver: (1) Use one of the Screen-Saver options available from the **More > Settings > Screen Saver** page; (2) Use a plastic (cling-on) screen protector (available where hand-held electronic devices are sold) to help guard against scratches.

- 8 Now that your Touch Screen is physically installed and appearing on the home network, you can add it to the Control4 System using the Composer software. See the Composer help for information about how to add the Touch Screen and other devices to the Control4 System.

Regulatory Compliance

This product complies with standards described in this section that were established by North America, Europe, and Australia/New Zealand regulatory bodies.

FCC Interference Statement

This equipment has been tested and found to comply with the limits for a Class B digital device, pursuant to Part 15 of the FCC Rules. These limits are designed to provide reasonable protection against harmful interference in a residential installation. This equipment generates, uses, and can radiate radio frequency energy and, if not installed and used in accordance with the instructions, may cause harmful interference to radio communications. However, there is no guarantee that interference will not occur in a particular installation. If this equipment does cause harmful interference to radio or television reception, which can be determined by turning the equipment off and on, the user is encouraged to try to correct the interference by one or more of the following measures:

- Reorient or relocate the receiving antenna.
- Increase the separation between the equipment and receiver.
- Connect the equipment into an outlet on a circuit different from that to which the receiver is connected.
- Consult the dealer or an experienced radio/TV technician for help.

This device complies with Part 15 of the FCC Rules. Operation is subject to the following two conditions: (1) This device may not cause harmful interference, and (2) this device must accept any interference received, including interference that may cause undesired operation.

Industry Canada Statement

This Class B digital apparatus complies with Canada ICES-003. Cet appareil numérique de la classe B est conforme à la norme NMB-003 du Canada.

Australian/New Zealand Compliance

This product has been tested to the requirements of, and shown to be in compliance with, the following requisite standards:

- AS/NZS 4368: 2003



Warranty

Limited 2-year warranty. Refer to <http://www.control4.com/warranty>.

Recycling

For information on recycling, please go to [www.control4.com/recycling](http://www.control4.com/recycling)



About this Document

© 2010 Control4. All rights reserved. Control4, the Control4 logo and Everyday Easy are registered trademarks or trademarks of Control4 Corporation in the United States and/or other countries. All other names or brands may be claimed as property by their respective owners. Pricing and specifications subject to change without notice.

Gracenote

Music and DVD recognition technology and related data are provided by Gracenote®. Gracenote is the industry standard in Music and DVD recognition technology and related content delivery.

For more information visit [www.gracenote.com](http://www.gracenote.com).

GNU

GNU GENERAL PUBLIC LICENSE TERMS AND CONDITIONS FOR COPYING, DISTRIBUTION AND MODIFICATION (Section 3.b.)

You may copy and distribute the Program (or a work based on it, under Section 2) in object code or executable form under the terms of Sections 1 and 2 above provided that you also do one of the following:

Accompany it with a written offer, valid for at least three years, to give any third party, for a charge no more than your cost of physically performing source distribution, a complete machine-readable copy of the corresponding source code, to be distributed under the terms of Sections 1 and 2 above on a medium customarily used for software interchange.

The complete text for this license is available on the Control4 website.

Libertas

Libertas Firmware copyright statement for Touch Screens 6/26/09  
 Copyright (c) 2006, One Laptop per Child and Marvell Corporation.

All rights reserved.

Redistribution. Redistribution and use in binary form, without modification, are permitted provided that the following conditions are met:

- \* Redistributions must reproduce the above copyright notice and the following disclaimer in the documentation and/or other materials provided with the distribution.
- \* Neither the name of Marvell Corporation nor the names of its suppliers may be used to endorse or promote products derived from this software without specific prior written permission.
- \* No reverse engineering, decompilation, or disassembly of this software is permitted.
- \* You may not use or attempt to use this software in conjunction with any product that is offered by a third party as a replacement, substitute or alternative to a Marvell Product where a Marvell Product is defined as a proprietary wireless LAN embedded client solution of Marvell or a Marvell Affiliate.

DISCLAIMER. THIS SOFTWARE IS PROVIDED BY THE COPYRIGHT HOLDERS AND CONTRIBUTORS "AS IS" AND ANY EXPRESS OR IMPLIED WARRANTIES, INCLUDING, BUT NOT LIMITED TO, THE IMPLIED WARRANTIES OF MERCHANTABILITY AND FITNESS FOR A PARTICULAR PURPOSE ARE DISCLAIMED. IN NO EVENT SHALL THE COPYRIGHT OWNER OR CONTRIBUTORS BE LIABLE FOR ANY DIRECT, INDIRECT, INCIDENTAL, SPECIAL, EXEMPLARY, OR CONSEQUENTIAL DAMAGES (INCLUDING, BUT NOT LIMITED TO, PROCUREMENT OF SUBSTITUTE GOODS OR SERVICES; LOSS OF USE, DATA, OR PROFITS; OR BUSINESS INTERRUPTION) HOWEVER CAUSED AND ON ANY THEORY OF LIABILITY, WHETHER IN CONTRACT, STRICT LIABILITY, OR TORT (INCLUDING NEGLIGENCE OR OTHERWISE) ARISING IN ANY WAY OUT OF THE USE OF THIS SOFTWARE, EVEN IF ADVISED OF THE POSSIBILITY OF SUCH DAMAGE.